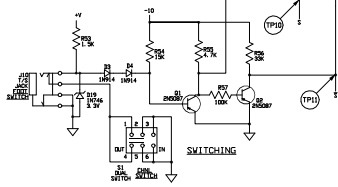


CHANNEL A (CLEAN CHANNEL)				CHANNEL B (DIRTY CHANNEL)			
LINE NO.	RES.	VAL.	WGT.	LINE NO.	RES.	VAL.	WGT.
1	10K	10K	100	1	10K	10K	100
2	100K	100K	100	2	100K	100K	100
3	100K	100K	100	3	100K	100K	100
4	100K	100K	100	4	100K	100K	100
5	100K	100K	100	5	100K	100K	100
6	100K	100K	100	6	100K	100K	100
7	100K	100K	100	7	100K	100K	100
8	100K	100K	100	8	100K	100K	100
9	100K	100K	100	9	100K	100K	100
10	100K	100K	100	10	100K	100K	100
11	100K	100K	100	11	100K	100K	100

ALL CONTROLS MAX. EXCEPT CH. B LEVEL @ 3 AND REV. A. 1, 3, 8, 9, 10  
 INPUT SIGNAL 10MV @ 1kHz  
 LINE VOLTAGE 120VAC @ 60Hz  
 ALL DC VOLTAGES WITH NO SIGNAL APPLIED



NOTES  
 1) CAUTION: CHECK HAZARD!  
 THIS UNIT CONTAINS HAZARDOUS VOLTAGE. DISCONNECT POWER AND BE SURE POWER SUPPLY IS DISCHARGED BEFORE TOUCHING INTERNAL PARTS.  
 2) UNLESS NOTED, RESISTOR VALUES IN OHMS, 1/4W-5% TOL. CAPACITOR VALUES IN MICROFARADS, 50V-10% TOL.  
 3) VOLTAGES ARE MEASURED WITH 1 MEGOHM OSCILLOSCOPE AND 10 MEGOHM DIGITAL VOLTMETER.  
 CIRCUIT GROUND + SWITCH GROUND + CHASSIS GROUND +)  
 4)  
 CAUTION:  
 THIS SCHEMATIC IS PROVIDED FOR USE BY QUALIFIED PERSONNEL TO AVOID RISK OF ELECTRIC SHOCK, REFER SERVICING TO QUALIFIED SERVICE PERSONNEL. DO NOT PERFORM ANY SERVICING BEYOND THAT EXPLAINED IN THE OPERATING INSTRUCTIONS.

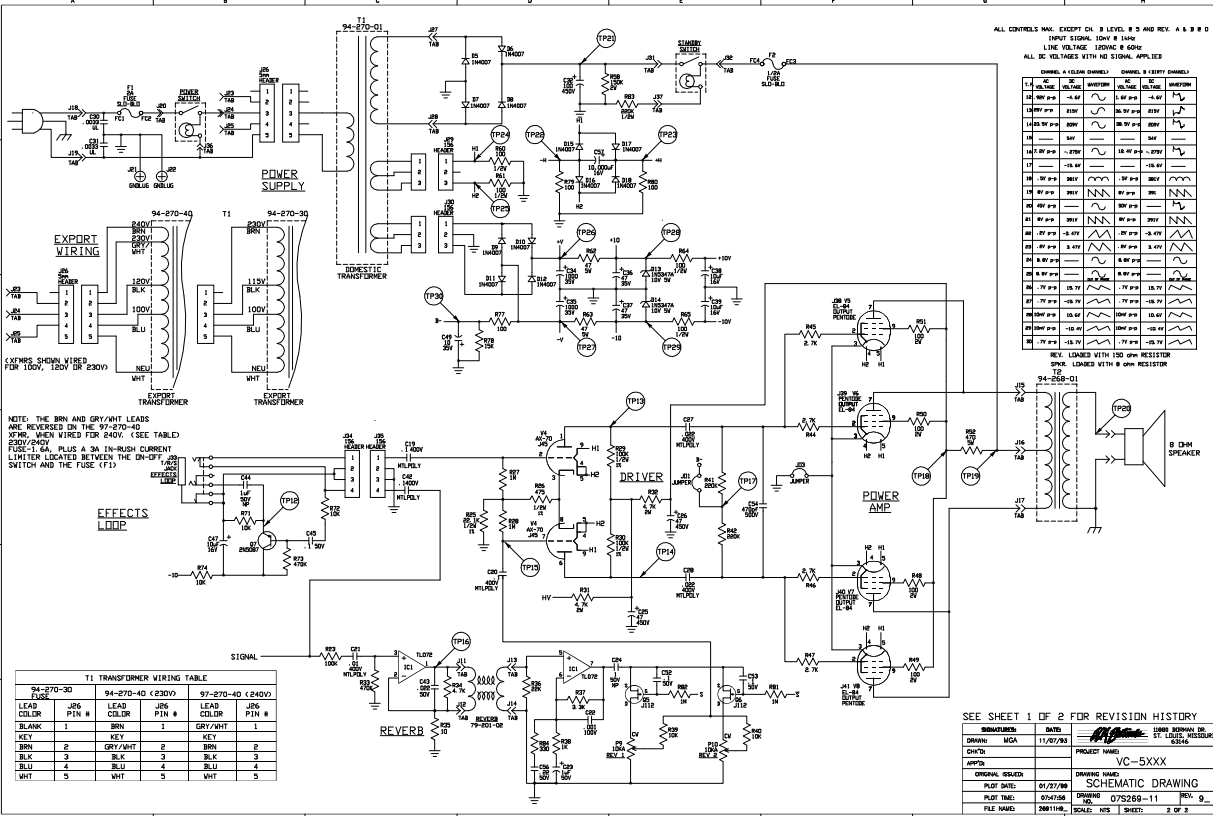
LAST DESIGNATOR

- R84 D19
- C6 P10
- OC5 IC1
- J35 FC4

UNUSED DESIGNATOR

- O3 O4
- C7 C7
- C46 J22
- C29 R43

9	11/12/97	SMK	ADD LABEL TO PCB. NO CHG TO REV. PER 870077. CHG 17% OF J. CHG PER 870077. NO CHG TO REV.	
8	08/14/97	MAC	ADDED 94-289-30, 11 TABLE PER ECO 970454.	
7	08/08/97	MAC	CHG FUSES PER 8600366	
6	02/24/97	MAC	CHG FUSE CLIPS PER ECO 870071. CAS TO 302 PER 870044.	
5	2/13/97	REM OK	CAS TO 302 PER 870044.	
4	8-1-96	RLB	MS2 WAS WIRE WOUND CHG PER ECO 840277	
3	10/9/96	REM	CHG75 J11 TO 2507 146 PER 8600046.	
2	9/08/94	REM	CHG75 J11 TO 1075 PER 8684.	
1	04/08/94	REM	ART TO REV. 3. CHANGED VALUES PER 8087 & 154.	
REV	DATE	BY	CHG'S	DESCRIPTION
				BRG KEITHAN DR ST. LOUIS, MISSOURI 63116
DRAWN	MCA	11/07/93		PROJECT NAME
CHK'D	OK	11/08/93		VC-5XXX
APP'D	OK	11/08/93		DRAWING NAME
ORIGINAL ISSUED	11/07/93			SCHEMATIC DRAWING
PLT DATE	01/27/99			REV: 9
PLT TIME	074756			DRAWING NO. 075269-11
FILE NAME	2911196			SCALE: NTS   SHEET: 1 OF 2



ALL CONTROLS MAN. EXCEPT CH. B LEVEL B'S AND REV. A B B B D  
 INPUT SIGNAL 100V @ 1000  
 LINE VOLTAGE 120VAC @ 60Hz  
 ALL DC VOLTAGES WITH NO SIGNAL APPLIES

CHANNEL A (YELLOW CHANNEL)		CHANNEL B (GREEN CHANNEL)	
FREQ	VOLTS	FREQ	VOLTS
15	100	15	100
15.87	100	15.87	100
16.73	100	16.73	100
17.59	100	17.59	100
18.46	100	18.46	100
19.33	100	19.33	100
20.21	100	20.21	100
21.09	100	21.09	100
21.98	100	21.98	100
22.88	100	22.88	100
23.79	100	23.79	100
24.71	100	24.71	100
25.64	100	25.64	100
26.58	100	26.58	100
27.53	100	27.53	100
28.49	100	28.49	100
29.46	100	29.46	100
30.44	100	30.44	100
31.43	100	31.43	100
32.43	100	32.43	100
33.44	100	33.44	100
34.46	100	34.46	100
35.49	100	35.49	100
36.53	100	36.53	100
37.58	100	37.58	100
38.64	100	38.64	100
39.71	100	39.71	100
40.79	100	40.79	100
41.88	100	41.88	100
42.98	100	42.98	100
44.09	100	44.09	100
45.21	100	45.21	100
46.34	100	46.34	100
47.48	100	47.48	100
48.64	100	48.64	100
49.81	100	49.81	100
51.00	100	51.00	100
52.20	100	52.20	100
53.42	100	53.42	100
54.65	100	54.65	100
55.90	100	55.90	100
57.16	100	57.16	100
58.44	100	58.44	100
59.73	100	59.73	100
61.04	100	61.04	100
62.36	100	62.36	100
63.70	100	63.70	100
65.06	100	65.06	100
66.43	100	66.43	100
67.82	100	67.82	100
69.23	100	69.23	100
70.65	100	70.65	100
72.09	100	72.09	100
73.54	100	73.54	100
75.01	100	75.01	100
76.50	100	76.50	100
78.00	100	78.00	100
79.52	100	79.52	100
81.05	100	81.05	100
82.60	100	82.60	100
84.16	100	84.16	100
85.74	100	85.74	100
87.33	100	87.33	100
88.94	100	88.94	100
90.56	100	90.56	100
92.20	100	92.20	100
93.85	100	93.85	100
95.52	100	95.52	100
97.20	100	97.20	100
98.90	100	98.90	100
100.61	100	100.61	100

REC. LOADED WITH 100 OHM RESISTOR  
 SPKR. LOADED WITH 8 OHM RESISTOR

NOTE: THE BRN AND GRN/WHT LEADS ARE REVERSED ON THE 97-270-40 97R, WHEN WIRED FOR 240V. (SEE TABLE 230V/240V)  
 FUSE-1.6A, PLUS A 3A IN-RUSH CURRENT LIMITER LOCATED BETWEEN THE ON-OFF SWITCH AND THE FUSE (F1)

T1 TRANSFORMER WIRING TABLE

94-270-30		94-270-40 (230V)		97-270-40 (240V)	
LEAD COLOR	J26 PIN #	LEAD COLOR	J26 PIN #	LEAD COLOR	J26 PIN #
BLANK	1	BRN	1	GRN/WHT	1
KEY	2	GRN/WHT	2	KEY	2
BRN	3	BLK	3	BRN	3
BLK	4	BLU	4	BLK	4
WHT	5	WHT	5	WHT	5

SEE SHEET 1 OF 2 FOR REVISION HISTORY

REVISED:	DATE:	1086 SERIAL NO.
DESIGN:	DATE:	ST. LOUIS SERIAL NO.
CHG'D:	DATE:	63246
APPROV:	DATE:	PROJECT NAME:
ORIGINAL ISSUED:	DATE:	5C-5XXX
PLOT DATE:	01/27/90	DRAWING NAME:
PLOT TIME:	07:47:56	SCHEMATIC DRAWING
FILE NAME:	2001118L	DRAWING NO.:
		075269-11
		REV. 9.
		SCALE: NIS
		SHEET: 2 OF 2